

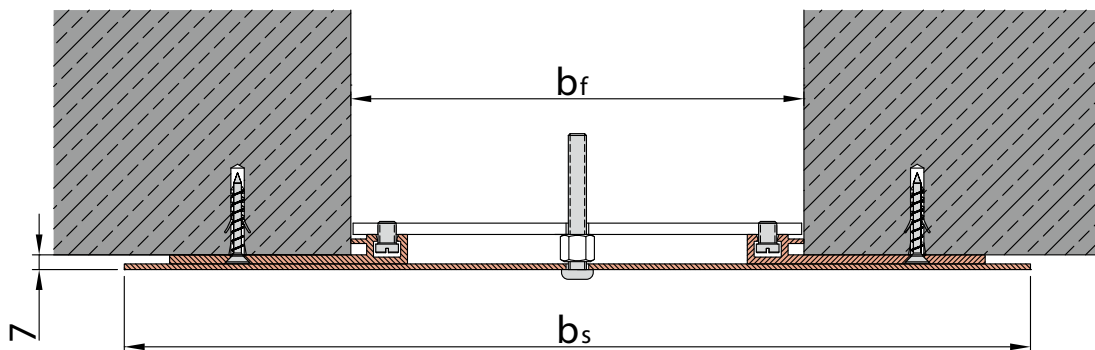
- 1** Cover plate can be individually coated to match the adjacent wall
- 2** Long-lasting aluminium surface with only little fixing due to larger distance of fixing holes, still ensuring perfect hold

| Expansion joint cover | Joint width max. b_f max [mm] | Total movement thermal Δb_f [mm] | Visible width b_s [mm] | Installation height h [mm] |
|-----------------------|------------------------------------------------------|---------------------------------------------------------|-----------------------------------------------|-----------------------------------------|
| WTC 200 | 200 | 200 (±100) | 400 | 7 |
| WTC 250 | 250 | 275 (+125/-150) | 450 | 7 |
| WTC 300 | 300 | 300 (+150/-200) | 500 | 7 |
| WTC 400 | 400 | 500 (+200/-300) | 600 | 7 |
| WTC 500 | 500 | 650 (+250/-400) | 700 | 7 |

Joint width by the time of installation. Potential tolerance: ± 10 mm
Further joint widths available on demand.

Standard colour: Aluminium

Production length: 3 m



WALL CONNECTIONS CORNER VERSIONS



- 1 **Cover plate can be individually coated**
to match the adjacent wall
- 2 **Long-lasting aluminium surface**
with only little fixing due to larger distance of fixing holes,
still ensuring perfect hold

| Expansion joint cover | Joint width max. b_f max [mm] | Total movement thermal Δb_f [mm] | Visible width b_s [mm] | Installation height h [mm] |
|-----------------------|----------------------------------------------------------|-------------------------------------------------------------|---------------------------------------------------|---------------------------------------------|
| WTC 200 E4 | 200 | 100 (±50) | 300 | 7 |
| WTC 250 E4 | 250 | 150 (±75) | 350 | 7 |
| WTC 300 E4 | 300 | 200 (±100) | 400 | 7 |
| WTC 400 E4 | 400 | 300 (±150) | 500 | 7 |
| WTC 500 E4 | 500 | 400 (±200) | 600 | 7 |

Joint width by the time of installation. Potential tolerance: ± 10 mm
Further joint widths available on demand.

Standard colour: Aluminium

Production length: 3 m

